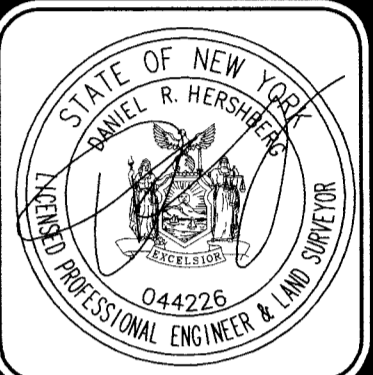


HERSHBERG & HERSHBERG
 Consulting Engineers and Land Surveyors
 18 Locust Street
 Albany, New York 12203

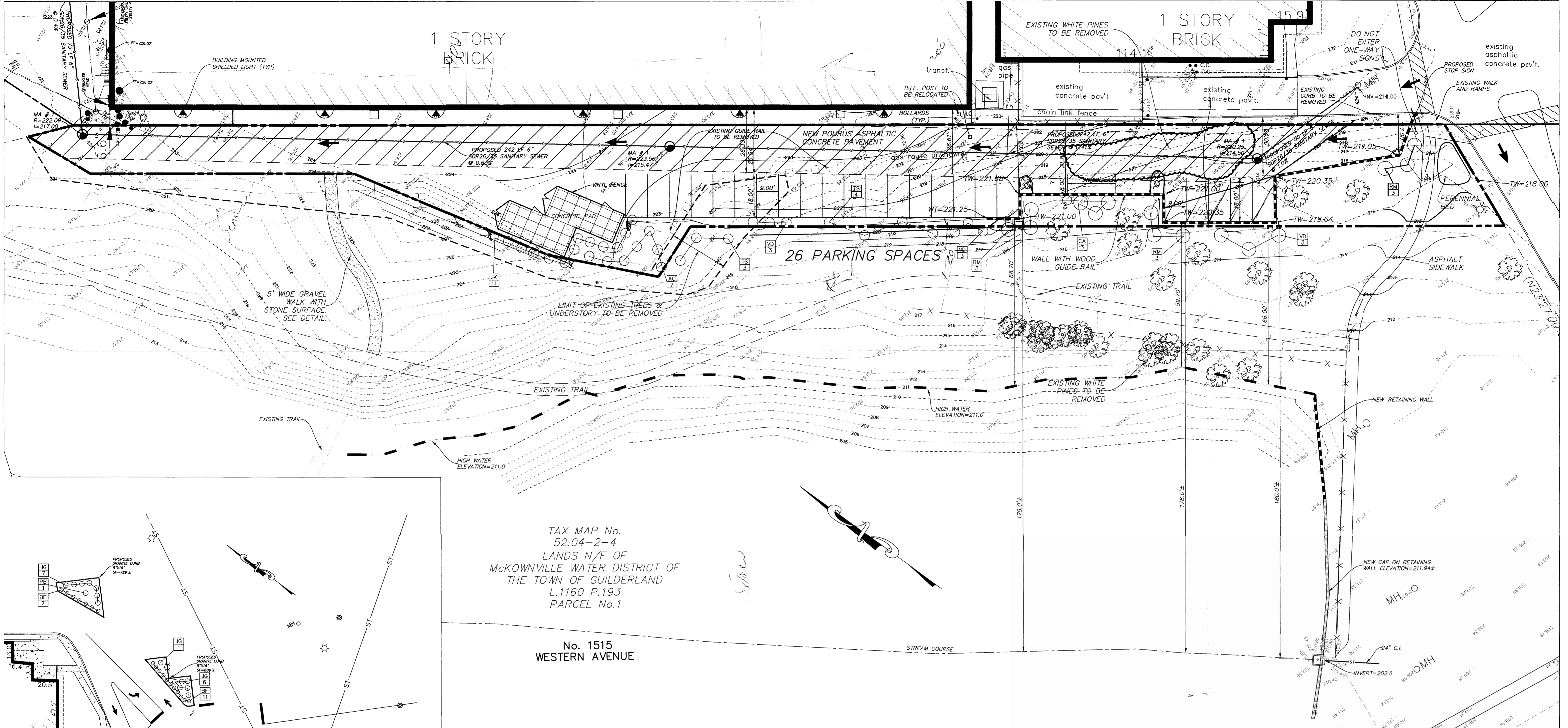
ALTERATION OF THIS DOCUMENT EXCEPT BY A LICENSED PROFESSIONAL ENGINEER OR LAND SURVEYOR, IS ILLEGAL



REVISIONS	DATE	REMARKS
REVISED	10/21/10	PLANTING AND CURB ISLAND
REVISED	11/7/10	
REVISED	11/19/10	
REVISED	11/22/10	
REVISED	3/15/11	
REVISED	3/1/13	

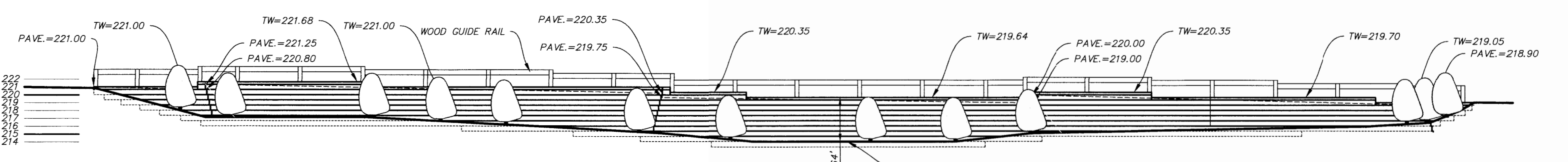
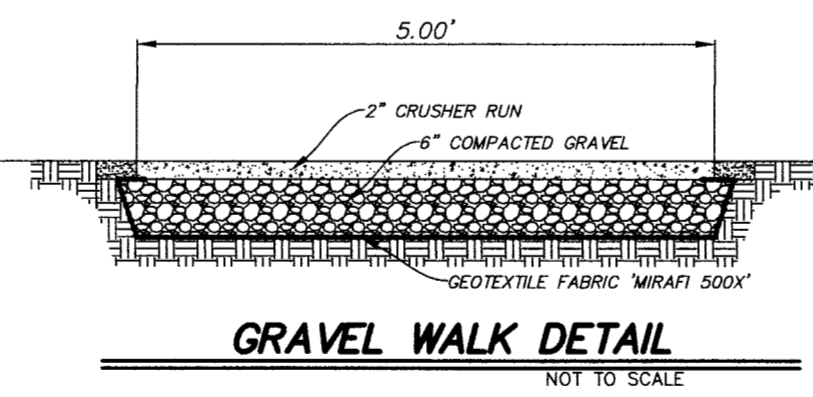
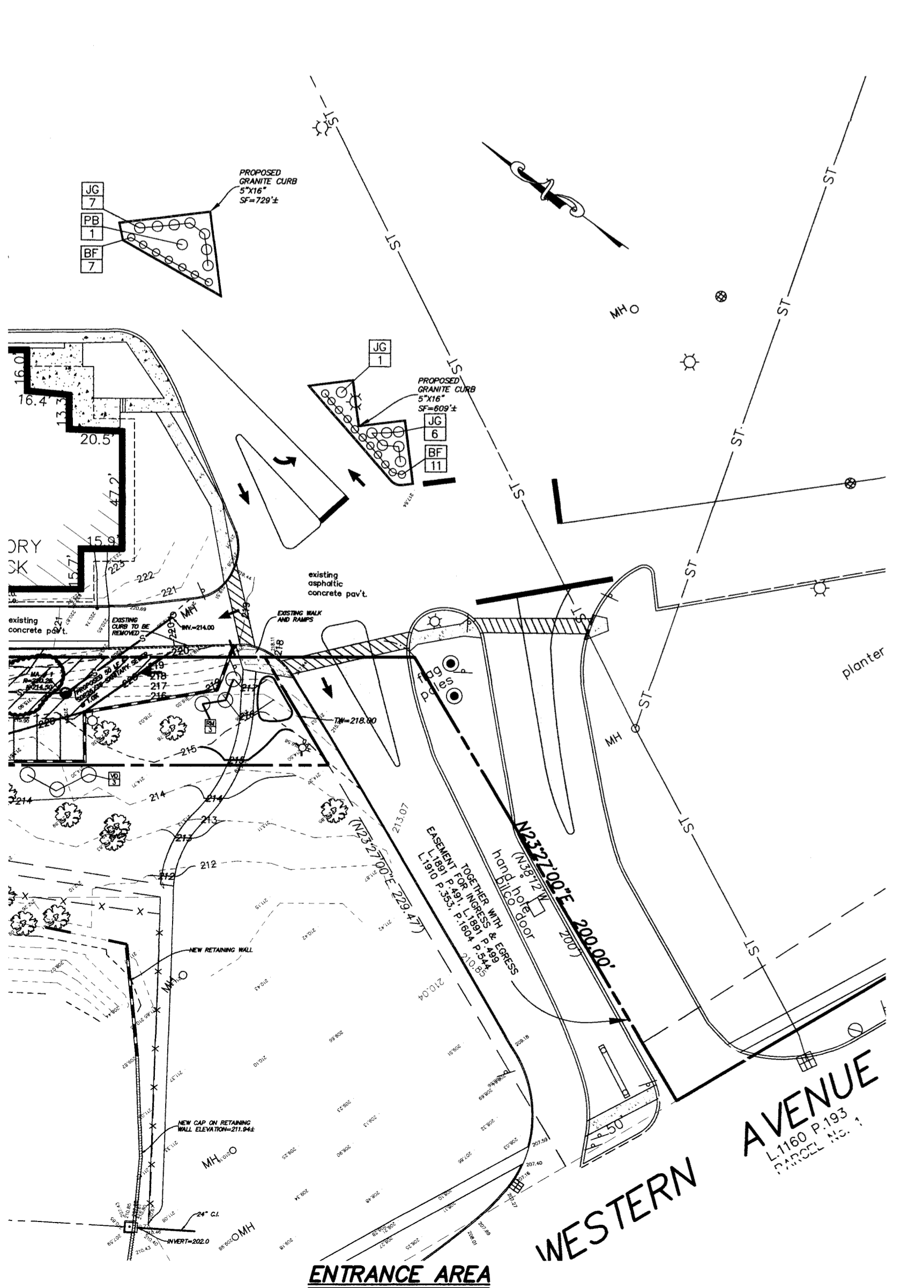
**PROPOSED PARKING EXPANSION
 LANDS OF THE TOWN OF GUILDERLAND
 STUYVESANT PLAZA
 TOWN OF GUILDERLAND, ALBANY COUNTY, NY**

FILE: 090003
 SCALE: 1"=20'
 DATE: 3/9/10
 CHK: DRH
 090003-6



TAX MAP No. 52.04-2-4
 LANDS N/F OF
 MCKOWNVILLE WATER DISTRICT OF
 THE TOWN OF GUILDERLAND
 L.1160 P.193
 PARCEL No.1

No. 1515
 WESTERN AVENUE



PLANT MATERIAL SCHEDULE					
SYM	BOTANICAL NAME	COMMON NAME	SIZE	AMT	COMMENTS
SHRUBS					
AC	AMELANCHIER CANADENSIS	SHADBLOW SERVICEBERRY	6"-7" HT. HEAVY	7	B & B
CA	CORNUS ALBA STOLONIFERA	RED OSIER DOGWOOD	3 GAL	3	C.G.
CG	JUNIPERUS CHINENSIS 'SEA GREEN'	SEA GREEN JUNIPER	18" HT.	14	C.G.
JK	JUNIPERUS SCOPULORUM 'SKYROCKET'	ROCKY MOUNTAIN JUNIPER	6"-7" HT.	11	B & B
RM	RHOODODENDRON MAXIMUM	MAXIMUM RHODODENDRON	30"-36" HT.	9	B & B
VE	VIORNIUM DENTATUM	ARROWWOOD VIBURNUM	3" HT.	9	B & B
TREES					
PB	PYRUS CALLERYANA 'BRADFORD'	BRADFORD PEAR	2"-2 1/2" GAL.	1	B & B
TE	TSUGA CANADENSIS	CANADIAN HEMLOCK	5'-6" HT.	7	B & B
GRASSES					
BF	FESTUCA GLAUCA 'ELIJAH BLUE'	ELIJAH BLUE FESCUE	1 GAL.	18	

SEGMENTED BLOCK WALL ELEVATION
 SCALE: 1"=10'

FOR MUNICIPAL APPROVAL ONLY-NOT INTENDED FOR CONSTRUCTION